

JENN-AIR™ 36" (91.4 CM) WALL-MOUNT CANOPY RANGE HOOD

HOTTE DE CUISINIÈRE JENN-AIR™ POUR MONTAGE MURAL 36" (91,4 CM)

Installation Instructions and Use & Care Guide

For questions about features, operation/performance, parts, accessories, or service in the U.S.A., call:

1-800-JENNAIR (1-800-536-6247), or visit our website at www.jennair.com.

In Canada, call: **1-800-807-6777**, or visit our website at www.jennair.ca.

Instructions d'installation et Guide d'utilisation et d'entretien

Au Canada, pour assistance, installation ou service, composez le **1-800-807-6777** ou visitez notre site web à www.jennair.ca.

Table of Contents/Table des matières2

IMPORTANT: READ AND SAVE THESE INSTRUCTIONS.

FOR RESIDENTIAL USE ONLY.

IMPORTANT : LIRE ET CONSERVER CES INSTRUCTIONS.

POUR UTILISATION RÉSIDENIELLE UNIQUEMENT.

JENN-AIR®

LI3UUB/W10274320C

TABLE OF CONTENTS

RANGE HOOD SAFETY	3
INSTALLATION REQUIREMENTS	4
Tools and Parts	4
Location Requirements	5
Venting Requirements	6
Electrical Requirements	7
INSTALLATION INSTRUCTIONS	8
Prepare Location	8
Install Range Hood	9
Connect Vent System	9
Install Vent Covers	10
Complete Installation	10
RANGE HOOD USE	10
Display	10
Light	11
Timer	11
Fan Speed Buttons	11
RANGE HOOD CARE	12
Cleaning	12
WIRING DIAGRAM	13
ASSISTANCE OR SERVICE	14
WARRANTY	15

TABLE DES MATIÈRES

SÉCURITÉ DE LA HOTTE DE CUISINIÈRE	17
EXIGENCES D'INSTALLATION	19
Outils et pièces	19
Exigences d'emplacement	19
Exigences concernant l'évacuation	20
Spécifications électriques	22
INSTRUCTIONS D'INSTALLATION	23
Préparation de l'emplacement	23
Installation de la hotte	24
Raccordement du circuit d'évacuation	24
Installation des cache-conduits	25
Achever l'installation	25
UTILISATION DE LA HOTTE	25
Affichage	25
Éclairage	26
Minuterie	26
Boutons de vitesse du ventilateur	26
ENTRETIEN DE LA HOTTE	27
Nettoyage	27
SCHÉMA DE CÂBLAGE	28
ASSISTANCE OU SERVICE	29
GARANTIE	30

RANGE HOOD SAFETY

Your safety and the safety of others are very important.

We have provided many important safety messages in this manual and on your appliance. Always read and obey all safety messages.



This is the safety alert symbol.

This symbol alerts you to potential hazards that can kill or hurt you and others.

All safety messages will follow the safety alert symbol and either the word “DANGER” or “WARNING.”

These words mean:

⚠ DANGER

You can be killed or seriously injured if you don't immediately follow instructions.

⚠ WARNING

You can be killed or seriously injured if you don't follow instructions.

All safety messages will tell you what the potential hazard is, tell you how to reduce the chance of injury, and tell you what can happen if the instructions are not followed.

IMPORTANT SAFETY INSTRUCTIONS

WARNING: TO REDUCE THE RISK OF FIRE, ELECTRIC SHOCK, OR INJURY TO PERSONS, OBSERVE THE FOLLOWING:

- Use this unit only in the manner intended by the manufacturer. If you have questions, contact the manufacturer.
- Before servicing or cleaning the unit, switch power off at service panel and lock the service disconnecting means to prevent power from being switched on accidentally. When the service disconnecting means cannot be locked, securely fasten a prominent warning device, such as a tag, to the service panel.
- Installation work and electrical wiring must be done by qualified person(s) in accordance with all applicable codes and standards, including fire-rated construction.
- Do not operate any fan with a damaged cord or plug. Discard fan or return to an authorized service facility for examination and/or repair.
- Sufficient air is needed for proper combustion and exhausting of gases through the flue (chimney) of fuel burning equipment to prevent backdrafting. Follow the heating equipment manufacturer's guideline and safety standards such as those published by the National Fire Protection Association (NFPA), the American Society for Heating, Refrigeration and Air Conditioning Engineers (ASHRAE), and the local code authorities.
- When cutting or drilling into wall or ceiling; do not damage electrical wiring and other utilities.
- Ducted fans must always be vented outdoors.

CAUTION: For general ventilating use only. Do not use to exhaust hazardous or explosive materials and vapors.

CAUTION: To reduce risk of fire and to properly exhaust air, be sure to duct air outside - do not vent exhaust air into spaces within walls or ceilings, attics or into crawl spaces, or garages.

WARNING: TO REDUCE THE RISK OF FIRE, USE ONLY METAL DUCTWORK.

WARNING: TO REDUCE THE RISK OF A RANGE TOP GREASE FIRE:

- Never leave surface units unattended at high settings. Boilovers cause smoking and greasy spillovers that may ignite. Heat oils slowly on low or medium settings.
- Always turn hood ON when cooking at high heat or when flambeing food (i.e. Crepes Suzette, Cherries Jubilee, Peppercorn Beef Flambé).
- Clean ventilating fans frequently. Grease should not be allowed to accumulate on fan or filter.
- Use proper pan size. Always use cookware appropriate for the size of the surface element.

WARNING: TO REDUCE THE RISK OF INJURY TO PERSONS IN THE EVENT OF A RANGE TOP GREASE FIRE, OBSERVE THE FOLLOWING:^a

- SMOTHER FLAMES with a close fitting lid, cookie sheet, or metal tray, then turn off the burner. BE CAREFUL TO PREVENT BURNS. If the flames do not go out immediately, EVACUATE AND CALL THE FIRE DEPARTMENT.
- NEVER PICK UP A FLAMING PAN - you may be burned.
- DO NOT USE WATER, including wet dishcloths or towels - a violent steam explosion will result.
- Use an extinguisher ONLY if:
 - You know you have a class ABC extinguisher, and you already know how to operate it.
 - The fire is small and contained in the area where it started.
 - The fire department is being called.
 - You can fight the fire with your back to an exit.

^aBased on "Kitchen Fire Safety Tips" published by NFPA.

- **WARNING:** To reduce the risk of fire or electrical shock, do not use this fan with any solid-state speed control device.

READ AND SAVE THESE INSTRUCTIONS

INSTALLATION REQUIREMENTS

Tools and Parts

Gather the required tools and parts before starting installation. Read and follow the instructions provided with any tools listed here.

Tools needed

- Level
- Drill with 1¼" (3.0 cm), ⅝" (9.5 mm), and ⅜" (7.9 mm) drill bits
- Pencil
- Wire stripper or utility knife
- Tape measure or ruler

- Pliers
- Caulking gun and weatherproof caulking compound
- Vent clamps
- Jigsaw or keyhole saw
- Flat-blade screwdriver
- Metal snips
- Phillips screwdriver
- Metric Allen wrench set

Venting Requirements (vented models only)

- Vent system must terminate to the outdoors, except for non-vented (recirculating) installations.
- Do not terminate the vent system in an attic or other enclosed area.
- Do not use 4" (10.2 cm) laundry-type wall cap.
- Use metal vent only. Rigid metal vent is recommended. Plastic or metal foil vent is not recommended.
- The length of vent system and number of elbows should be kept to a minimum to provide efficient performance.

For the most efficient and quiet operation:

- Use no more than three 90° elbows.
- Make sure there is a minimum of 24" (61 cm) of straight vent between the elbows if more than 1 elbow is used.
- Do not install 2 elbows together.
- Use clamps to seal all joints in the vent system.
- The vent system must have a damper. If the roof or wall cap has a damper, do not use the damper supplied with the range hood.
- Use caulking to seal exterior wall or roof opening around the cap.
- The size of the vent should be uniform.

Cold Weather Installations

An additional back draft damper should be installed to minimize backward cold air flow and a thermal break should be installed to minimize conduction of outside temperatures as part of the vent system. The damper should be on the cold air side of the thermal break.

The break should be as close as possible to where the vent system enters the heated portion of the house.

Makeup Air

Local building codes may require the use of makeup air systems when using ventilation systems greater than specified CFM of air movement. The specified CFM varies from locale to locale. Consult your HVAC professional for specific requirements in your area.

Venting Methods

This canopy hood is factory set for venting through the roof or wall.

A 6" (15.2 cm) round vent system is needed for installation (not included). The hood exhaust opening is 6" (15.2 cm) round.

NOTE: Flexible vent is not recommended. Flexible vent creates back pressure and air turbulence that greatly reduce performance.

Vent system can terminate either through the roof or wall. To vent through a wall, a 90° elbow is needed.

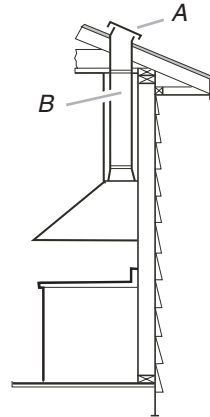
Rear discharge

A 90° elbow may be installed immediately above the hood.

For Non-Vented (recirculating) Installations

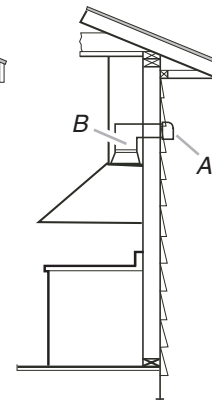
If it is not possible to vent cooking fumes and vapors to the outside, the hood can be used in the non-vented (recirculating) version, fitting a charcoal filter and the deflector. Fumes and vapors are recycled through the top grille.

Roof Venting



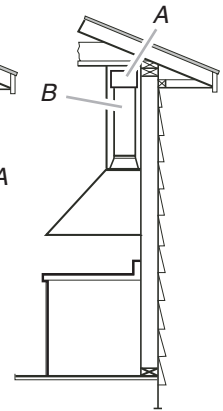
A. Roof cap
B. 6" (15.2 cm)
round vent

Wall Venting



A. Wall cap
B. 6" (15.2 cm)
round vent

Non-vented (recirculating)



A. Deflector
B. 6" (15.2 cm)
round vent

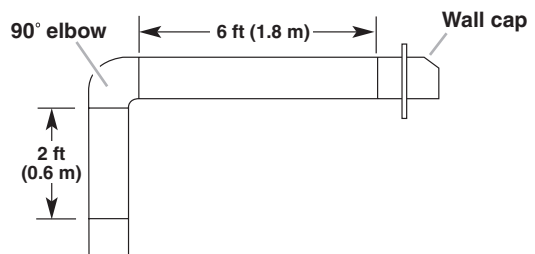
Calculating Vent System Length

To calculate the length of the system you need, add the equivalent feet (meters) for each vent piece used in the system.

Vent Piece	6" (15.2 cm) Round	
45° elbow	2.5 ft (0.8 m)	
90° elbow	5.0 ft (1.5 m)	

Maximum equivalent vent length is 35 ft (10.7 m).

Example vent system



The following example falls within the maximum recommended vent length of 35 ft (10.7 m).

1 - 90° elbow	= 5.0 ft (1.5 m)
1 - wall cap	= 0.0 ft (0.0 m)
8 ft (2.4 m) straight	= 8.0 ft (2.4 m)
Length of system	= 13.0 ft (3.9 m)

Electrical Requirements

⚠ WARNING



Electrical Shock Hazard

Plug into a grounded 3 prong outlet.

Do not remove ground prong.

Do not use an adapter.

Do not use an extension cord.

Failure to follow these instructions can result in death, fire, or electrical shock.

IMPORTANT: The range hood must be electrically grounded in accordance with local codes and ordinances, or in the absence of local codes, with the National Electrical Code, ANSI/NFPA 70 (latest edition) or Canadian Electrical Code, CSA C22.1 No. 0-M91 (latest edition).

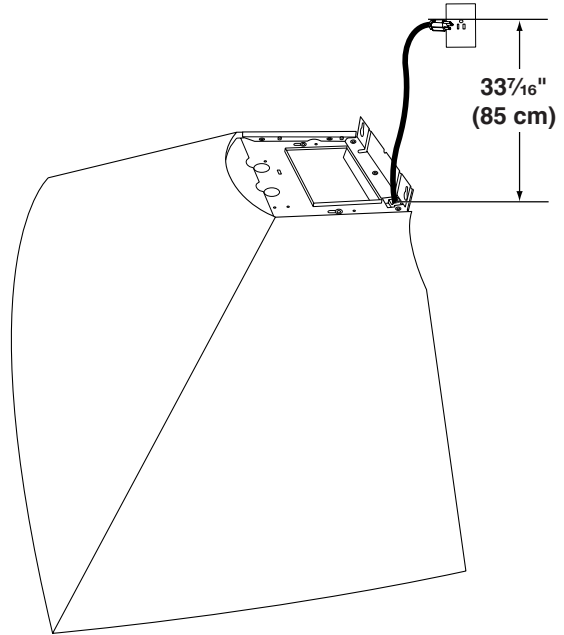
If codes permit and a separate ground wire is used, it is recommended that a qualified electrical installer determine that the ground path is adequate.

A copy of the above code standards can be obtained from:

National Fire Protection Association
One Batterymarch Park
Quincy, MA 02269
CSA International
8501 East Pleasant Valley Road
Cleveland, Ohio 44131-5575

- A 120 volt, 60 Hz, AC only, 15- or 20-amp, fused electrical circuit is required. A time-delay fuse or circuit breaker is also recommended. It is recommended that a separate circuit serving only this range hood be provided.
- This range hood is equipped with a power supply cord having a 3 prong grounding plug.
- To minimize possible shock hazard, the cord must be plugged into a mating, 3 prong, grounding-type outlet, grounded in accordance with local codes and ordinances. If a mating outlet is not available, it is the personal responsibility and obligation of the customer to have the properly grounded outlet installed by a qualified electrician.

- The grounded 3 prong outlet is to be located above the range hood at a maximum distance of $33\frac{7}{16}$ " (85.0 cm) from where the power cord exits the hood. See illustration.



GROUNDING INSTRUCTIONS

- For a grounded, cord-connected range hood: This range hood must be grounded. In the event of an electrical short circuit, grounding reduces the risk of electric shock by providing an escape wire for the electric current. This range hood is equipped with a cord having a grounding wire with a grounding plug. The plug must be plugged into an outlet that is properly installed and grounded.

WARNING: Improper grounding can result in a risk of electric shock.

Consult a qualified electrician if the grounding instructions are not completely understood, or if doubt exists as to whether the range hood is properly grounded.

Do not use an extension cord. If the power supply cord is too short, have a qualified electrician install an outlet near the range hood.

SAVE THESE INSTRUCTIONS

INSTALLATION INSTRUCTIONS

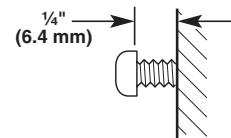
Prepare Location

- It is recommended that the vent system be installed before hood is installed.
 - Before making cutouts, make sure there is proper clearance within the ceiling or wall for exhaust vent.
 - Check your ceiling height and the hood height maximum before you select your hood.
1. Disconnect power.
 2. Determine which venting method to use: roof, wall, or non-vented.
 3. Select a flat surface for assembling the range hood. Place covering over that surface.

8. Mark centers of the fastener locations through the template to the wall.
- IMPORTANT:** All screws must be installed into wood. If there is no wood to screw into, additional wall framing supports may be required.

Remove the template.

9. Drill $\frac{3}{16}$ " (4.8 mm) pilot holes at all locations where screws are being installed into wood.
10. Install the 2 - 5 x 45 mm mounting screws. Leave a $\frac{1}{4}$ " (6.4 mm) gap between the wall and the back of the screw head to slide range hood into place.



! WARNING

Excessive Weight Hazard

Use two or more people to move and install range hood.

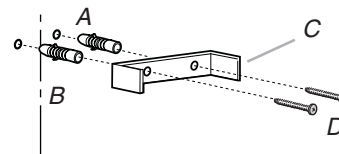
Failure to do so can result in back or other injury.

4. Using 2 or more people, lift range hood onto covered surface.

Vent Cover Support Bracket Installation

Installations using telescoping upper and lower vent cover assembly

1. Position vent cover bracket on wall about $\frac{1}{8}$ " (3.0 mm) away from the ceiling.
2. Mark the hole locations.
3. Drill $\frac{3}{8}$ " (9.5 mm) holes for wall anchors and insert anchors flush with the wall.

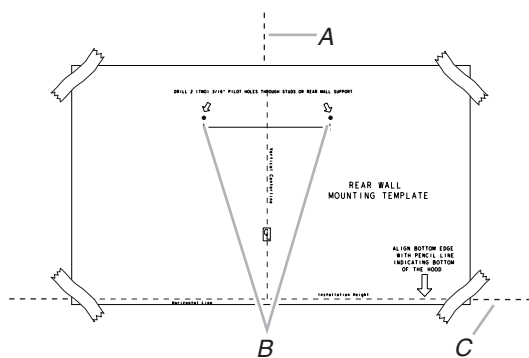


A. 8 x 40 mm drywall anchors
B. Centerline on wall
C. Vent cover support bracket
D. 5 x 45 mm screws

4. Attach vent cover support bracket to wall.

Range Hood Mounting Screws Installation

5. Determine and mark the centerline on the wall where the canopy hood will be installed.
6. Select a mounting height between a minimum of 27" (68.6 cm) for an electric cooking surface, a minimum of 30" (76.2 cm) for a gas cooking surface, and a suggested maximum of 36" (91.4 cm) above the range to the bottom of the hood. Mark a reference line on the wall.
7. Tape template in place, aligning the template centerline and bottom of template with hood bottom line and with the centerline marked on the wall.



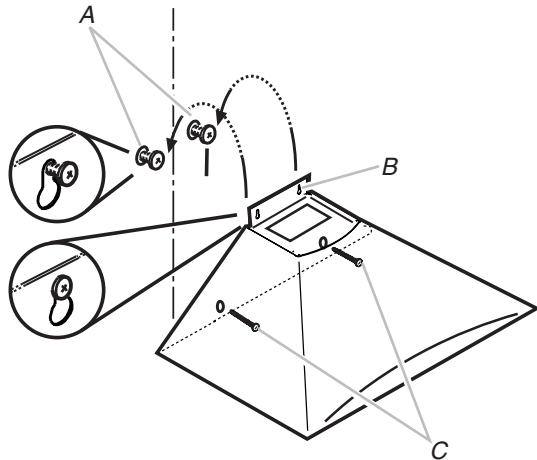
A. Centerline
B. Fastener locations
C. Mounting height reference

Complete Preparation

1. Determine and make all necessary cuts in the wall for the vent system. Install the vent system before installing the hood. See "Venting Requirements" section.
2. Use caulk to seal all openings.

Install Range Hood

- Using 2 or more people, hang range hood on 2 mounting screws through the mounting slots on back of hood.

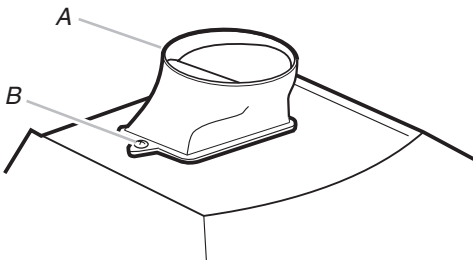


A. Mounting screws
B. Mounting slots
C. Lower mounting screws

- Remove the grease filter. See "Range Hood Care" section.
- Level the range hood and tighten upper mounting screws.
- Install 2 - 5 x 45 mm lower mounting screws and tighten.

Connect Vent System

- Install transition on top of hood (if removed for shipping) with 2 - 3.5 x 6.5 mm sheet metal screws.



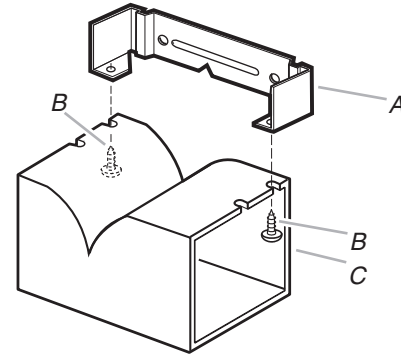
A. Vent transition
B. 3.5 x 6.5 mm screw

For vented installations only:

- Fit vent system over transition piece.
- Seal connection with clamps.
- Check that back draft dampers work properly.

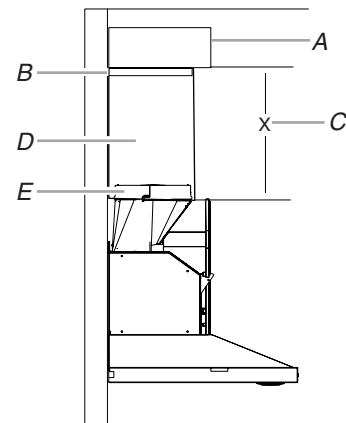
For non-vented (recirculating) installation only:

- Assemble the air deflector with the duct cover bracket with 2 - assembly screws provided with the Recirculation Kit.



A. Vent cover bracket
B. 2.9 x 6.5 mm screws
C. Deflector

- Measure from the bottom of the air deflector to the bottom of the hood outlet.



A. Air deflector
B. Vent clamp
C. X = length to cut vent duct
D. Vent duct
E. Exhaust outlet

- Cut the duct to the measured size (X).
- Remove the air deflector.
- Slide the duct onto the bottom of the air deflector.
- Place the assembled air deflector and duct over the exhaust outlet from the hood.
- Reassemble the air deflector to the duct cover bracket with 2 assembly screws.

- Seal connections with vent clamps.

⚠ WARNING



Electrical Shock Hazard

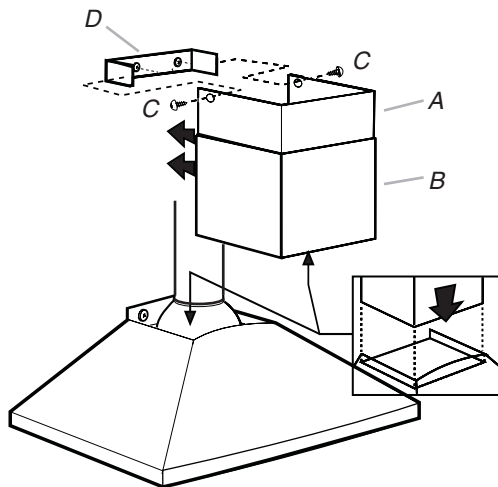
- Plug into a grounded 3 prong outlet.**
- Do not remove ground prong.**
- Do not use an adapter.**
- Do not use an extension cord.**
- Failure to follow these instructions can result in death, fire, or electrical shock.**

- Plug 3 prong power cord into a grounded 3 prong outlet located above the range hood.

Install Vent Covers

When using both upper and lower vent covers, push lower cover down onto hood and lift upper cover to ceiling and install with two 2.9 x 6.5 mm screws.

NOTE: For vented installations, the upper vent cover may be reversed to hide slots.



- A. Upper vent cover
- B. Lower vent cover
- C. 2.9 x 6.5 mm screws
- D. Bracket

Complete Installation

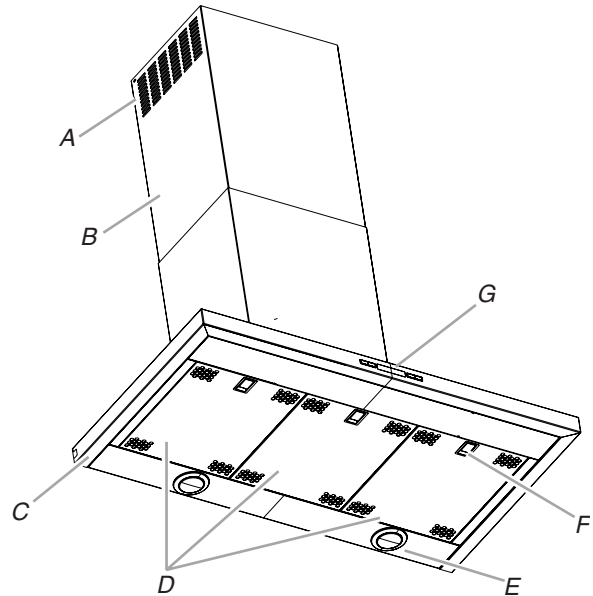
- For non-vented (recirculating) installations only, install charcoal filters over grille on blower housing. See the “Range Hood Care” section.
- Install metal filters. See the “Range Hood Care” section.
- Check the operation of the range hood blower and light. See the “Range Hood Use” section.

NOTE: To get the most efficient use from your new range hood, read the “Range Hood Use” section.

RANGE HOOD USE

The range hood is designed to remove smoke, cooking vapors and odors from the cooktop area. For best results, start the hood before cooking and allow it to operate several minutes after the cooking is complete to clear all smoke and odors from the kitchen.

The range hood controls are located on the front side of the canopy.



- A. Louver holes (non-vented [recirculating] installations only)
- B. Duct covers
- C. Canopy
- D. Grease filters
- E. Lamp housings
- F. Grease filter handles
- G. Control panel

Control Panel

The range hood controls are located on the front side of the canopy.



- A. Power decrease
- B. Power increase
- C. Display
- D. Light
- E. Timer

Display

Grease Filter Saturation Alarm

After 30 hours of fan function, the display will show “Clean Grease Filter” when the fan is active. When this icon shows in the display, the installed grease filters should be washed. See “Range Hood Care” section.

- To reset the grease filter saturation alarm, press and hold the POWER INCREASE button for 5 seconds. The “Clean Grease Filter” icon will no longer be displayed.

Charcoal Filter Saturation Alarm

After 120 hours of fan function, the display will show “Replace Charcoal Filter” when the fan is active. When this icon shows in the display, the charcoal filters should be replaced. See “Range Hood Care” section.

- To reset the charcoal filter saturation alarm, press and hold the POWER DECREASE button for 5 seconds. The “Replace Charcoal Filter” icon will no longer be displayed.

Audible Signal Activation and Deactivation

The audible signals can be activated or deactivated by pressing the “LIGHT” button for 5 seconds.

- If the audible signal is activated, a tone will sound, and “Snd” symbol will appear in the display for 3 seconds.
- If the audible signal is deactivated, the “Snd” symbol will appear on the display for 3 seconds.

Charcoal Filter (Recirculation Accessory) Inclusion and Exclusion

When the charcoal filter is in use (recirculating mode), press and hold the POWER DECREASE and POWER INCREASE buttons at the same time for 5 seconds. “Able” will appear in the display for 3 seconds.

If the charcoal filter is not used (vented mode), press and hold the POWER DECREASE and POWER INCREASE buttons at the same time for 5 seconds. “None” will appear in the display for 3 seconds.

- When the charcoal filter has been excluded, the charcoal filter alarm is disabled.
- The inclusion or exclusion of the charcoal filter must be selected while the lights and the fan motor are Off.

Heat Sensor

The control is equipped with a heat sensor that will turn on the blower to the highest speed if excessive heat occurs around the control area.

- If the blower is On or Off, the blower will automatically set to the highest speed. “Auto” will appear in the display to indicate that the heat sensor has detected excessive heat.
- When the blower is operating due to excessive heat detected by the heat sensor, the blower speed cannot be decreased.
- When the temperature level on the hood drops to normal, the blower will return to its setting before the excessive heat was sensed.

Light

To operate the light:

1. Press the Light button to turn the light on to high.
2. Press the Light button again to turn the light to low.
3. Press the Light button a third time to turn the light off.

Timer

The timer can be set from 1 to 60 minutes. The default timer setting is 10 minutes.

To use the timer:

1. Press the Timer button to enter the timer mode. After 5 seconds the default time will be automatically selected.
2. Press the POWER DECREASE and POWER INCREASE buttons while the display is flashing (5 seconds) to adjust to the desired time. Pressing the timer button again or waiting 5 seconds after selecting the desired time will start the timer countdown.
3. The timer can be canceled at any time by pressing the Timer button again.

NOTE: During the timer setup, the Power Decrease and Power Increase buttons are dedicated to the timer. After the timer starts, the Power Decrease and Power Increase buttons can be used for other functions.

Fan Speed Buttons

Power Increase/On

This button is used to turn the fan On or increase the fan speed.

- The fan will turn On if the Power Increase button is pressed and the hood was Off.
- An audible tone will sound when the fan reaches its highest speed.

Power Decrease/Off

- This button is used to turn the fan Off or to decrease the fan speed.

RANGE HOOD CARE

Cleaning

IMPORTANT: Clean the hood and grease filters frequently according to the following instructions. Replace grease filters before operating hood.

Exterior Surfaces:

To avoid damage to the exterior surface, do not use steel wool or soap-filled scouring pads.

Always wipe dry to avoid water marks.

Cleaning Method:

- Liquid detergent soap and water, or all-purpose cleanser
- Wipe with damp soft cloth or nonabrasive sponge, then rinse with clean water and wipe dry.

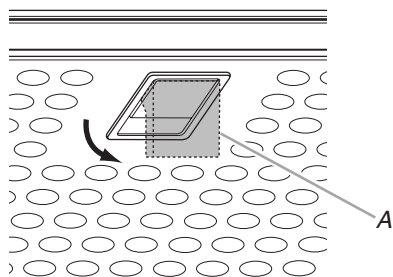
Metal Grease Filter

The filters should be washed frequently. Place metal filters in dishwasher or hot detergent solution to clean.

Let filter dry thoroughly before replacing it.

Turn off fan and lights. Allow halogen lamp to cool.

1. Remove each filter by pulling the spring release handle and then pulling down the filter.



A. Spring release handle

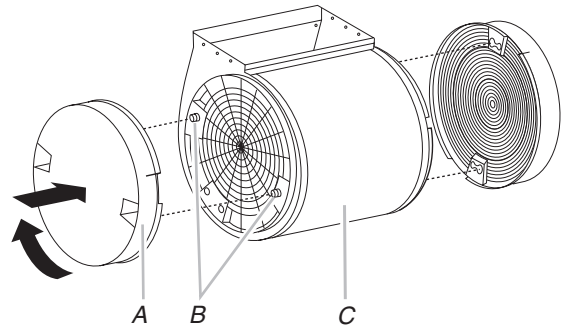
2. Wash metal filters as needed in dishwasher or hot detergent solution.
3. Reinstall the filter by making sure the spring release handles are toward the front. Insert metal grease filter into upper track.
4. Pull the spring release handle down.
5. Push up on metal filter and release handle to latch into place.
6. Repeat steps 1-5 for the other filter.

Non-Vented (recirculating) Installation Filters

The charcoal filter is not washable. It should last up to 6 months with normal use. Replace with Charcoal Filter Kit Number W10272068.

To replace charcoal filter:

1. Cover the grille that covers the blower motor with the charcoal filter so that the slots on the filter correspond to the pins on the sides of the motor grille.



A. Charcoal filter
B. Pins
C. Blower motor

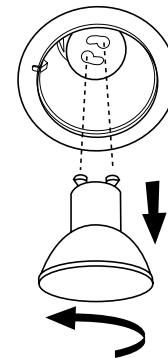
2. Turn the charcoal filter clockwise to lock it.
3. Repeat steps 1-2 on the other filter.

Replacing a Halogen Lamp

Turn off the range hood and allow the halogen lamp to cool. To avoid damage or decreasing the life of the new bulb, do not touch bulb with bare fingers. Replace bulb, using tissue or wearing cotton gloves to handle bulb.

If new lamps do not operate, make sure the lamps are inserted correctly before calling service.

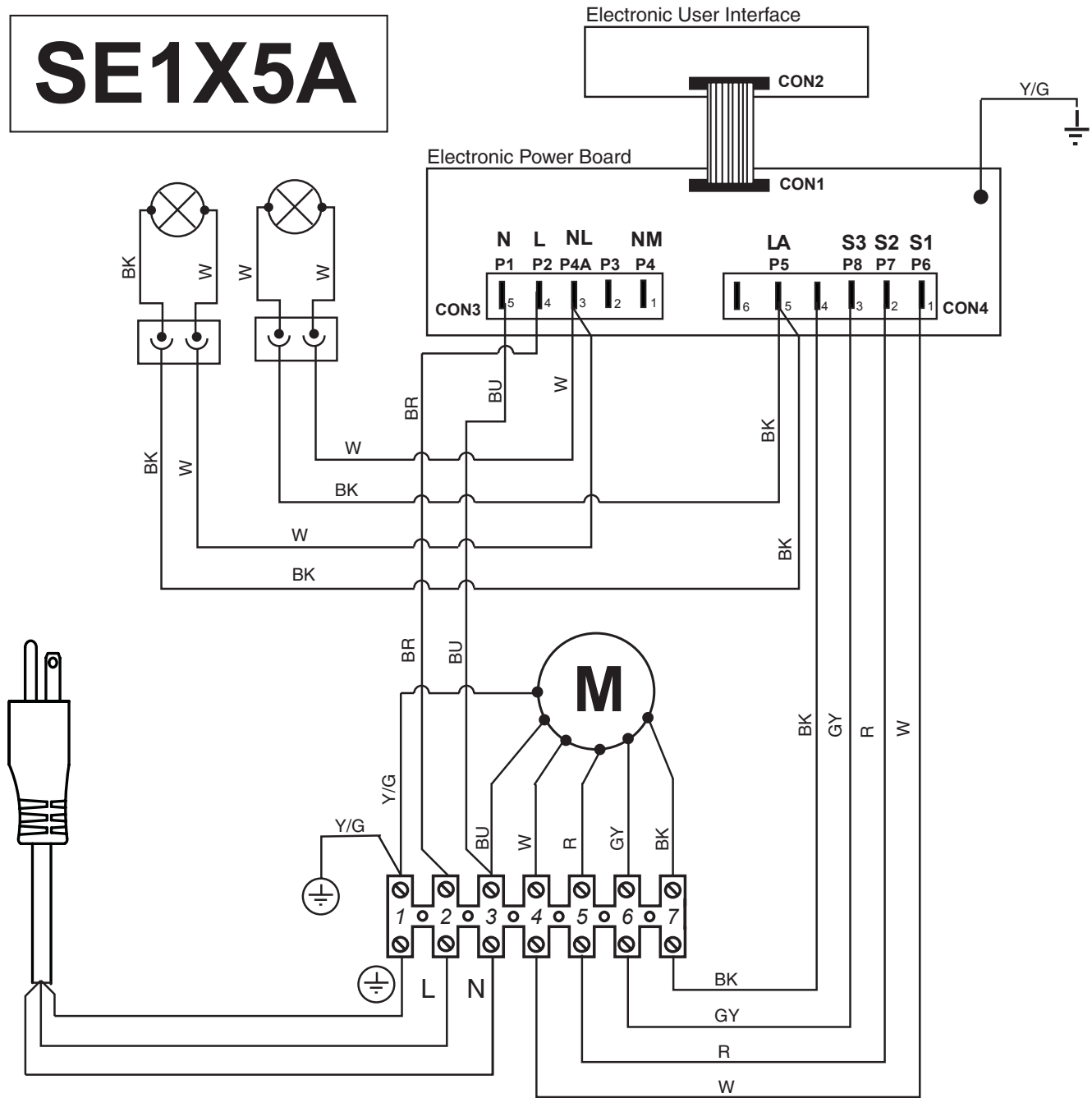
1. Disconnect power.
2. Push up on the lens and turn it counterclockwise.



3. Remove the bulb and replace it with a 120-volt, 50-watt maximum halogen bulb with a GU10 base. Turn it clockwise to lock it into place.
4. Repeat steps 2-3 for the other bulb if needed.
5. Reconnect power.

WIRING DIAGRAM

SE1X5A



COLOR TABLE		COLOR TABLE	
BK	BLACK	R	RED
BU	BLUE	W	WHITE
BR	BROWN	Y	YELLOW
G	GREEN	Y/G	YELLOW/GREEN
GY	GREY		

ASSISTANCE OR SERVICE

When calling for assistance or service, please know the purchase date and the complete model and serial number of your appliance. This information will help us to better respond to your request.

If you need replacement parts

If you need to order replacement parts, we recommend that you use only factory specified parts. Factory specified parts will fit right and work right because they are made with the same precision used to build every new appliance. To locate factory specified replacement parts in your area, call us or your nearest designated service center.

In the U.S.A.

Call the dealer from whom your appliance was purchased, or call **1-800-JENNAIR (1-800-536-6247)** to locate an authorized service company. When calling, please know the purchase date and the complete model and serial number of your appliance. Be sure to retain proof of purchase to verify warranty status.

If the dealer or service company cannot resolve your problem, write to:

Jenn-Air Brand Home Appliances
Customer eXperience Center
553 Benson Road
Benton Harbor, MI 49022-2692

Web address: www.jennair.com

Or call: **1-800-536-6247**

U.S. customers using TTY for deaf, hearing impaired or speech impaired, call: **1-800-688-2080** (Monday - Friday, 8:00 a.m. - 8:00 p.m. Eastern Time).

NOTE: When writing or calling about a service problem, please include the following information:

1. Your name, address and daytime telephone number.
2. Appliance model number and serial number.
3. Name and address of your dealer or servicer.
4. A clear description of the problem you are having.
5. Proof of purchase (sales receipt).

User's guides, service manuals and parts information are available from Jenn-Air Brand Home Appliances, Customer eXperience Center.

Accessories

Charcoal Filter Kit

(for non-vented installations only)

Order Part Number W10272068

Recirculation Kit

(for non-vented installations only)

Order Part Number W10272063

Chimney Extension Kit

Order Part Number W10272070

In Canada

Call the dealer from whom your appliance was purchased, or call Jenn-Air at **1-800-807-6777** to locate an authorized service company. When calling, please know the purchase date and the complete model and serial number of your appliance. Be sure to retain proof of purchase to verify warranty status.

If the dealer or service company cannot resolve your problem, write to:

Jenn-Air Brand Home Appliances
Customer eXperience Centre
200 - 6750 Century Ave.
Mississauga, Ontario L5N 0B7

Web address: www.jennair.ca

Or call: **1-800-807-6777**.

NOTE: When writing or calling about a service problem, please include the following information:

1. Your name, address and daytime telephone number.
2. Appliance model number and serial number.
3. Name and address of your dealer or servicer.
4. A clear description of the problem you are having.
5. Proof of purchase (sales receipt).

User's guides, service manuals and parts information are available from Jenn-Air Brand Home Appliances, Customer eXperience Centre.

JENN-AIR® MAJOR APPLIANCE WARRANTY

ONE YEAR LIMITED WARRANTY

For one year from the date of purchase, when this major appliance is operated and maintained according to instructions attached to or furnished with the product, Jenn-Air brand of Whirlpool Corporation or Whirlpool Canada LP (hereafter "Jenn-Air") will pay for factory specified parts and repair labor to correct defects in materials or workmanship. Service must be provided by a Jenn-Air designated service company. This limited warranty is valid only in the United States or Canada and applies only when the major appliance is used in the country in which it was purchased. Outside the 50 United States and Canada, this limited warranty does not apply. Proof of original purchase date is required to obtain service under this limited warranty.

ITEMS EXCLUDED FROM WARRANTY

This limited warranty does not cover:

1. Service calls to correct the installation of your major appliance, to instruct you on how to use your major appliance, to replace or repair house fuses, or to correct house wiring or plumbing.
2. Service calls to repair or replace appliance light bulbs, air filters or water filters. Consumable parts are excluded from warranty coverage.
3. Repairs when your major appliance is used for other than normal, single-family household use or when it is used in a manner that is contrary to published user or operator instructions and/or installation instructions.
4. Damage resulting from accident, alteration, misuse, abuse, fire, flood, acts of God, improper installation, installation not in accordance with electrical or plumbing codes, or use of consumables or cleaning products not approved by Jenn-Air.
5. Cosmetic damage, including scratches, dents, chips or other damage to the finish of your major appliance, unless such damage results from defects in materials or workmanship and is reported to Jenn-Air within 30 days from the date of purchase.
6. Any food loss due to refrigerator or freezer product failures.
7. Costs associated with the removal from your home of your major appliance for repairs. This major appliance is designed to be repaired in the home and only in-home service is covered by this warranty.
8. Repairs to parts or systems resulting from unauthorized modifications made to the appliance.
9. Expenses for travel and transportation for product service if your major appliance is located in a remote area where service by an authorized Jenn-Air servicer is not available.
10. The removal and reinstallation of your major appliance if it is installed in an inaccessible location or is not installed in accordance with published installation instructions.
11. Major appliances with original model/serial numbers that have been removed, altered or cannot be easily determined. This warranty is void if the factory applied serial number has been altered or removed from your major appliance.

The cost of repair or replacement under these excluded circumstances shall be borne by the customer.

DISCLAIMER OF IMPLIED WARRANTIES; LIMITATION OF REMEDIES

CUSTOMER'S SOLE AND EXCLUSIVE REMEDY UNDER THIS LIMITED WARRANTY SHALL BE PRODUCT REPAIR AS PROVIDED HEREIN. IMPLIED WARRANTIES, INCLUDING WARRANTIES OF MERCHANTABILITY OR FITNESS FOR A PARTICULAR PURPOSE, ARE LIMITED TO ONE YEAR OR THE SHORTEST PERIOD ALLOWED BY LAW. JENN-AIR SHALL NOT BE LIABLE FOR INCIDENTAL OR CONSEQUENTIAL DAMAGES. SOME STATES AND PROVINCES DO NOT ALLOW THE EXCLUSION OR LIMITATION OF INCIDENTAL OR CONSEQUENTIAL DAMAGES, OR LIMITATIONS ON THE DURATION OF IMPLIED WARRANTIES OF MERCHANTABILITY OR FITNESS, SO THESE EXCLUSIONS OR LIMITATIONS MAY NOT APPLY TO YOU. THIS WARRANTY GIVES YOU SPECIFIC LEGAL RIGHTS, AND YOU MAY ALSO HAVE OTHER RIGHTS WHICH VARY FROM STATE TO STATE OR PROVINCE TO PROVINCE.

If outside the 50 United States and Canada, contact your authorized Jenn-Air dealer to determine if another warranty applies.

If you need service, first see the "Troubleshooting" section of the Use & Care Guide. After checking "Troubleshooting," you may find additional help by checking the "Assistance or Service" section or by calling Jenn-Air. In the U.S.A., call **1-800-536-6247**. In Canada, call **1-800-807-6777**.

6/09

Keep this book and your sales slip together for future reference. You must provide proof of purchase or installation date for in-warranty service.

Write down the following information about your major appliance to better help you obtain assistance or service if you ever need it. You will need to know your complete model number and serial number. You can find this information on the model and serial number label located on the product.

Dealer name _____

Address _____

Phone number _____

Model number _____

Serial number _____

Purchase date _____

Notes

SÉCURITÉ DE LA HOTTE DE CUISINIÈRE

Votre sécurité et celle des autres est très importante.

Nous donnons de nombreux messages de sécurité importants dans ce manuel et sur votre appareil ménager. Assurez-vous de toujours lire tous les messages de sécurité et de vous y conformer.



Voici le symbole d'alerte de sécurité.

Ce symbole d'alerte de sécurité vous signale les dangers potentiels de décès et de blessures graves à vous et à d'autres.

Tous les messages de sécurité suivront le symbole d'alerte de sécurité et le mot "DANGER" ou "AVERTISSEMENT". Ces mots signifient :

! DANGER

Risque possible de décès ou de blessure grave si vous ne suivez pas immédiatement les instructions.

! AVERTISSEMENT

Risque possible de décès ou de blessure grave si vous ne suivez pas les instructions.

Tous les messages de sécurité vous diront quel est le danger potentiel et vous disent comment réduire le risque de blessure et ce qui peut se produire en cas de non-respect des instructions.

IMPORTANTES INSTRUCTIONS DE SÉCURITÉ

AVERTISSEMENT : POUR RÉDUIRE LE RISQUE D'INCENDIE, CHOC ÉLECTRIQUE OU DOMMAGES CORPORELS, RESPECTER LES INSTRUCTIONS SUIVANTES :

- Utiliser cet appareil uniquement dans les applications envisagées par le fabricant. Pour toute question, contacter le fabricant.
- Avant d'entreprendre un travail d'entretien ou de nettoyage, interrompre l'alimentation de la hotte au niveau du tableau de disjoncteurs, et verrouiller le tableau de disjoncteurs pour empêcher tout rétablissement accidentel de l'alimentation du circuit. Lorsqu'il n'est pas possible de verrouiller le tableau de disjoncteurs, placer sur le tableau de disjoncteurs une étiquette d'avertissement proéminente interdisant le rétablissement de l'alimentation.
- Tout travail d'installation ou câblage électrique doit être réalisé par une personne qualifiée, dans le respect des prescriptions de tous les codes et normes applicables, y compris les codes du bâtiment et de protection contre les incendies.
- Ne pas faire fonctionner un ventilateur dont le cordon ou la fiche est endommagé(e). Jeter le ventilateur ou le retourner à un centre de service agréé pour examen et/ou réparation.
- Une source d'air de débit suffisant est nécessaire pour le fonctionnement correct de tout appareil à gaz (combustion et évacuation des gaz à combustion par la cheminée), pour qu'il n'y ait pas de reflux des gaz de combustion. Respecter les directives du fabricant de l'équipement de chauffage et les prescriptions des normes de sécurité - comme celles publiées par la National Fire Protection Association (NFPA) et l'American Society for Heating, Refrigeration and Air Conditioning Engineers (ASHRAE), et les prescriptions des autorités réglementaires locales.
- Lors d'opérations de découpage et de perçage dans un mur ou un plafond, veiller à ne pas endommager les câblages électriques ou canalisations qui peuvent s'y trouver.
- Les ventilateurs d'évacuation doivent toujours décharger l'air à l'extérieur.

MISE EN GARDE : Cet appareil est conçu uniquement pour la ventilation générale. Ne pas l'utiliser pour l'extraction de matières ou vapeurs dangereuses ou explosives.

MISE EN GARDE : Pour minimiser le risque d'incendie et évacuer adéquatement les gaz, veiller à acheminer l'air aspiré par un conduit jusqu'à l'extérieur - ne pas décharger l'air aspiré dans un espace vide du bâtiment comme une cavité murale, un plafond, un grenier, un vide sanitaire ou un garage.

AVERTISSEMENT : POUR RÉDUIRE LE RISQUE D'INCENDIE, UTILISER UNIQUEMENT DES CONDUITS MÉTALLIQUES.

AVERTISSEMENT : POUR MINIMISER LE RISQUE D'UN FEU DE GRAISSE SUR LA CUISINIÈRE :

- Ne jamais laisser un élément de surface fonctionner à puissance de chauffage maximale sans surveillance. Un renversement/débordement de matière grasseuse pourrait provoquer une inflammation et la génération de fumée. Utiliser une puissance de chauffage moyenne ou basse pour le chauffage d'huile.
- Veiller à toujours faire fonctionner le ventilateur de la hotte lors de la cuisson avec une puissance de chauffage élevée ou lors de la cuisson d'un mets à flamber (à savoir crêpes Suzette, cerise jubilee, steak au poivre flambé).
- Nettoyer fréquemment les ventilateurs d'extraction. Veiller à ne pas laisser la graisse s'accumuler sur les surfaces du ventilateur ou des filtres.
- Utiliser toujours un ustensile de taille appropriée. Utiliser toujours un ustensile adapté à la taille de l'élément chauffant.

AVERTISSEMENT : POUR RÉDUIRE LE RISQUE DE DOMMAGES CORPORELS APRÈS LE DÉCLENCHEMENT D'UN FEU DE GRAISSE SUR LA CUISINIÈRE, APPLIQUER LES RECOMMANDATIONS SUIVANTES :^a

- Placer sur le récipient un couvercle bien ajusté, une tôle à biscuits ou un plateau métallique **POUR ÉTOUFFER LES FLAMMES**, puis éteindre le brûleur. **VEILLER À ÉVITER LES BRÛLURES**. Si les flammes ne s'éteignent pas immédiatement, **ÉVACUER LA PIÈCE ET APPELER LES POMPIERS**.
- **NE JAMAIS PRENDRE EN MAIN UN RÉCIPENT ENFLAMMÉ** - vous risquez de vous brûler.
- **NE PAS UTILISER D'EAU**, ni un torchon humide - ceci pourrait provoquer une explosion de vapeur brûlante.
- Utiliser un extincteur **SEULEMENT** si :
 - Il s'agit d'un extincteur de classe ABC, dont on connaît le fonctionnement.
 - Il s'agit d'un petit feu encore limité à l'endroit où il s'est déclaré.
 - Les pompiers ont été contactés.
 - Il est possible de garder le dos orienté vers une sortie pendant l'opération de lutte contre le feu.

^aRecommandations tirées des conseils de sécurité en cas d'incendie de cuisine publiés par la NFPA.

- **AVERTISSEMENT :** Pour réduire le risque d'incendie ou de choc électrique, ne pas utiliser ce ventilateur avec un quelconque dispositif de réglage de la vitesse à semi-conducteurs.

LIRE ET CONSERVER CES INSTRUCTIONS

EXIGENCES D'INSTALLATION

Outils et pièces

Rassembler les outils et pièces nécessaires avant d'entreprendre l'installation. Lire et observer les instructions fournies avec chacun des outils de la liste ci-dessous.

Outils nécessaires

- Niveau
- Perceuse avec des forets de 1/4" (3 cm), 3/8" (9,5 mm) et 5/16" (7,9 mm)
- Crayon
- Pince à dénuder ou couteau utilitaire
- Mètre-ruban ou règle
- Pince
- Pistolet à calfeutrage et composé de calfeutrage résistant aux intempéries
- Brides de serrage
- Scie sauteuse ou scie à guichet
- Tournevis à lame plate
- Cisaille de ferblantier
- Tournevis Phillips
- Ensemble de clés Allen (système métrique)

Pièces nécessaires

Pour les installations avec décharge à l'extérieur, il faudra aussi :

- 1 bouche de décharge (décharge à travers le mur ou à travers le toit)
- Circuit d'évacuation métallique

Pour les installations sans décharge à l'extérieur (recyclage), il faudra aussi :

- Ensemble de recyclage, pièce numéro W10272063 pour les installations sans décharge à l'extérieur (recyclage) uniquement. Voir la section "Assistance ou service" pour commander.
- Conduit d'évacuation métallique circulaire de 6" (15,2 cm) de diamètre - longueur nécessaire déterminée par la hauteur de plafond.

Pièces fournies

Retirer les pièces de leur emballage. Vérifier que toutes les pièces sont présentes.

- Auvent de hotte avec ventilateur et ampoules installés
- Raccord de transition avec clapets anti-reflux installés
- Filtre(s) à graisse métallique(s)
- Bride de support du cache-conduit
- Gabarit de montage
- Cache-conduit - 2 pièces
- 2 vis de 3,5 x 6,5 mm
- 2 vis de 2,9 x 6,5 mm
- 6 vis de montage de 5 x 45 mm
- 2 chevilles d'ancrage mural de 8 x 40 mm
- 4 chevilles d'ancrage mural de 10 x 50 mm

Exigences d'emplacement

IMPORTANT : Observer les dispositions de tous les codes et règlements en vigueur.

Confier l'installation de la hotte à un technicien qualifié. C'est à l'installateur qu'incombe la responsabilité de respecter les distances de séparation spécifiées sur la plaque signalétique de l'appareil. La plaque signalétique de l'appareil est située derrière le filtre de gauche, sur la paroi arrière de la hotte.

On doit toujours installer la hotte à distance des sources de courant d'air (fenêtres, portes et bouches de chauffage).

Respecter les dimensions indiquées pour les ouvertures à découper dans les placards. Ces dimensions tiennent compte des valeurs minimales des dégagements de séparation.

On doit disposer d'une prise de courant électrique reliée à la terre. Voir la section "Spécifications électriques".

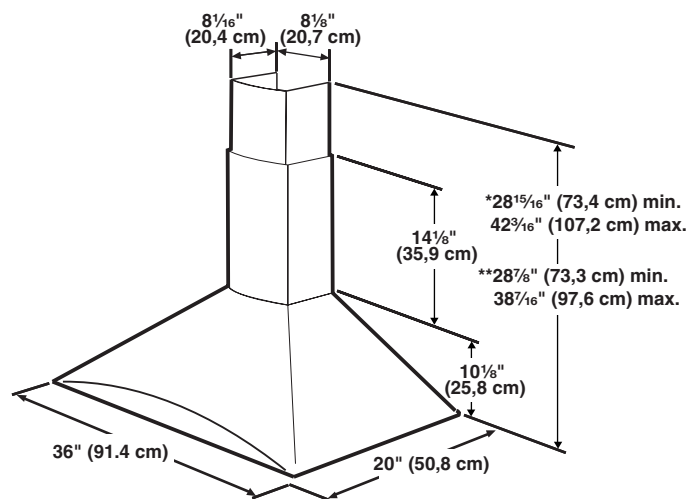
La hotte est configurée à l'usine pour une décharge à travers le toit ou un mur. Pour une installation sans décharge à l'extérieur (recyclage), voir "Installations sans décharge à l'extérieur (recyclage) uniquement", à la section "Raccordement du circuit d'évacuation". L'ensemble de recyclage (pièce numéro W10272063) est disponible chez votre marchand ou chez un distributeur de pièces autorisé.

On doit assurer l'étanchéité au niveau de chaque ouverture découpée dans le plafond et le mur où la hotte sera installée.

Installation dans une résidence mobile

L'installation de cette hotte doit satisfaire aux exigences de la norme Manufactured Home Construction Safety Standards, Titre 24 CFR, partie 328 (anciennement Federal Standard for Mobile Home Construction and Safety, titre 24, HUD, partie 280); lorsque cette norme n'est pas applicable, l'installation doit satisfaire aux critères de la plus récente édition de la norme Manufactured Home Installation 1982 (Manufactured Home Sites, Communities and Setups) ANSI A225.1/NFPA 501A, ou des codes locaux.

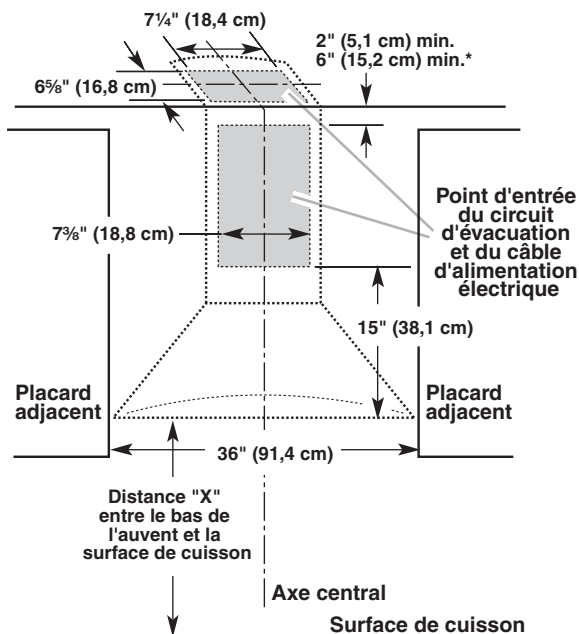
Dimensions du produit



*Installations sans décharge à l'extérieur (recyclage)

**Installations avec décharge à l'extérieur

Dimensions du placard



*Installations sans décharge à l'extérieur (recyclage)

***REMARQUE :** Les cache-conduits de hotte sont réglables; on peut les ajuster en fonction de la hauteur disponible sous plafond ou soffite, selon la distance "X" entre le bas de la hotte et la surface de cuisson. Pour des plafonds de hauteur supérieure, un ensemble d'extension de cache-conduit en acier inoxydable, pièce numéro W10272070 est disponible chez votre marchand ou chez un distributeur de pièces autorisé. L'extension de cache-conduit remplace la section supérieure du cache-conduit fournie avec la hotte.

IMPORTANT :

Valeur minimale de la distance "X" : 27" (68,6 cm) à partir de la surface de cuisson électrique.

Distance minimale "X" : 30" (76,2 cm) à partir d'une surface de cuisson au gaz.

Distance maximale "X" suggérée : 36" (91,4 cm)

Pour les installations avec décharge à l'extérieur, on peut ajuster les cache-conduits pour une hauteur sous plafond de 7' 11" (2,4 m) et 8' 8" (2,6 m).

Pour une installation sans décharge à l'extérieur (recyclage), on peut ajuster les cache-conduits pour une hauteur sous plafond entre 7' 11" (2,4 m) et 9' 0" (2,7 m).

Exigences concernant l'évacuation (seulement pour un modèle avec décharge à l'extérieur)

- Le circuit d'évacuation doit décharger l'air à l'extérieur, excepté pour une installation sans décharge à l'extérieur (recyclage).
- Ne pas terminer le circuit d'évacuation dans un grenier ou dans un autre espace fermé.
- Ne pas utiliser une bouche de décharge murale de 4" (10,2 cm) normalement utilisée pour un équipement de buanderie.
- Utiliser uniquement du conduit métallique. Le conduit en métal rigide est recommandé. Ne pas utiliser de conduit de plastique ou en feuille métallique.
- La longueur du circuit d'évacuation et le nombre de coudes doit être réduit au minimum pour fournir la meilleure performance.

Pour un fonctionnement efficace et silencieux :

- Ne pas utiliser plus de trois coudes à 90°.
- Veiller à ce qu'il y ait une section droite de conduit de 24" (61,0 cm) ou plus entre deux coudes, si on doit utiliser plus de un raccord coudé.
- Ne pas connecter 2 coudes ensemble.
- Au niveau de chaque jointure du circuit d'évacuation, assurer l'étanchéité avec les brides de serrage pour conduit.
- Le circuit d'évacuation doit comporter un clapet anti-reflux. Si la bouche de décharge murale ou par le toit comporte un clapet, ne pas utiliser le clapet fourni avec la hotte.
- Autour de la bouche de décharge à l'extérieur (mur ou toit), assurer l'étanchéité avec un composé de calfeutrage.
- La taille du conduit doit être uniforme.

Installation dans une région à climat froid

On doit installer un clapet anti-reflux additionnel pour minimiser le reflux d'air froid, et incorporer un élément d'isolation thermique pour minimiser la perte de chaleur par conduction par l'intermédiaire du circuit d'évacuation, de l'intérieur de la maison à l'extérieur. Le clapet anti-reflux doit être placé du côté froid par rapport à l'élément d'isolation thermique.

L'élément d'isolation thermique doit être aussi proche que possible de l'endroit où le circuit d'évacuation pénètre la partie chauffée de la maison.

Air d'appoint

Le code du bâtiment local peut exiger l'emploi d'un système de renouvellement de l'air/introduction d'air d'appoint, lors de l'utilisation d'un système d'aspiration de débit supérieur à une valeur (pieds cubes par minute) spécifiée. Le débit spécifié, pieds cubes par minute, est variable d'une juridiction à une autre. Consulter un professionnel des installations de chauffage/ventilation/climatisation au sujet des exigences spécifiques applicables dans la juridiction locale.

Méthodes d'évacuation

Cette hotte a été configurée à l'usine pour la décharge de l'air aspiré à travers le toit ou à travers un mur.

Un circuit d'évacuation en conduit rond de 6" (15,2 cm) (non fourni) est nécessaire pour l'installation. La hotte comporte une ouverture de sortie de diamètre 6" (15,2 cm).

REMARQUE : On déconseille l'emploi de conduit flexible. Un conduit flexible peut causer une rétropression et des turbulences de l'air, ce qui réduit considérablement la performance.

La sortie à l'extérieur du circuit d'évacuation peut se faire à travers le toit ou à travers un mur. Pour la sortie à travers un mur, on doit employer un raccord coudé (90°).

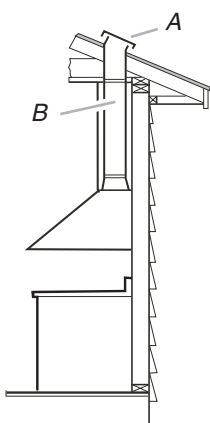
Décharge par l'arrière

Le raccord coudé à 90° peut être installé immédiatement au-dessus de la hotte.

Installation sans décharge à l'extérieur (recyclage)

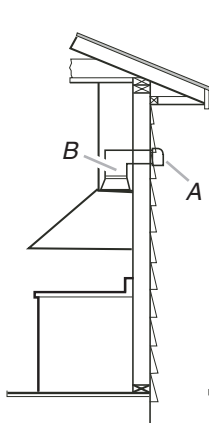
S'il n'est pas possible d'évacuer les fumées et vapeurs de cuisson à l'extérieur, on peut employer la version installation sans décharge à l'extérieur (recyclage) de la hotte, dotée d'un filtre à charbon et du déflecteur d'air. Les vapeurs/fumées sont alors recyclées à travers la grille supérieure.

Décharge à travers le toit



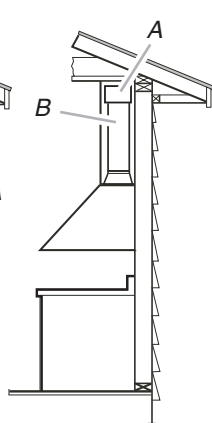
A. Bouche de décharge sur toit
B. Conduit rond 6" (15,2 cm)

Décharge à travers le mur



A. Bouche de décharge murale
B. Conduit rond 6" (15,2 cm)

Installation sans décharge à l'extérieur (recyclage)



A. Déflecteur d'air
B. Conduit rond 6" (15,2 cm)

Calcul de la longueur effective du circuit d'évacuation

Pour calculer la longueur effective du circuit d'évacuation nécessaire, additionner les longueurs équivalentes (pieds/mètres) de tous les composants utilisés dans le circuit.

Composants de circuit d'évacuation diam. 6" (15,2 cm)

Coude à 45° 2,5 pi (0,8 m)

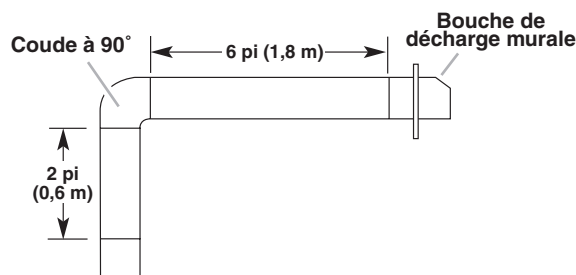


Coude à 90° 5 pi (1,5 m)



La longueur équivalente maximum est de 35 pi (10,7 m).

Exemple de circuit d'évacuation



Dans l'exemple suivant, la longueur théorique du circuit est inférieure au maximum recommandé de 35 pi (10,7 m).

1 coude à 90°	= 5 pi (1,5 m)
1 bouche de décharge murale	= 0 pi (0,0 m)
Section droite de 8 pi (2,4 m)	= 8 pi (2,4 m)
Longueur du circuit	= 13 pi (3,9 m)

Spécifications électriques

⚠ AVERTISSEMENT



Risque de choc électrique

Brancher sur une prise à 3 alvéoles reliée à la terre.

Ne pas enlever la broche de liaison à la terre.

Ne pas utiliser un adaptateur.

Ne pas utiliser un câble de rallonge.

Le non-respect de ces instructions peut causer un décès, un incendie ou un choc électrique.

IMPORTANT : La hotte doit être correctement reliée à la terre en conformité avec les codes et règlements locaux en vigueur, ou en l'absence de tels codes, avec le National Electrical Code, ANSI/NFPA 70 (dernière édition) ou le Code canadien des installations électriques, CSA C22.1. No. 0-M91 (dernière édition).

Si les codes le permettent et si on utilise un conducteur distinct de liaison à la terre, il est recommandé qu'un électricien qualifié vérifie la qualité de la liaison à la terre.

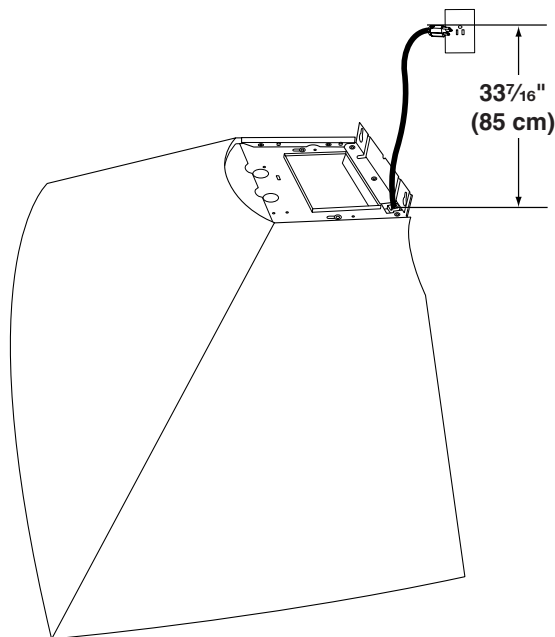
Pour obtenir un exemplaire des normes des codes ci-dessus, contacter :

National Fire Protection Association
One Batterymarch Park
Quincy, MA 02269

CSA International
8501 East Pleasant Valley Road
Cleveland, Ohio 44131-5575

- Une alimentation de 120 volts, 60 Hz, CA seulement, de 15 ou 20 ampères, protégée par un fusible est requise. On recommande également d'utiliser un fusible ou un disjoncteur temporisé. Il est recommandé de raccorder la hotte sur un circuit distinct exclusif à cet appareil.
- Cette hotte est équipée d'un cordon d'alimentation électrique de liaison à la terre à trois broches.
- Pour minimiser les risques de choc électrique, on doit brancher le cordon sur une prise de courant de configuration correspondante, à 3 alvéoles, reliée à la terre et installée conformément aux codes et règlements locaux. Si une prise de courant de configuration correspondante n'est pas disponible, le client a la responsabilité et l'obligation de faire installer par un électricien qualifié une prise de courant correctement reliée à la terre.

- La prise à 3 broches reliée à la terre doit se trouver au-dessus de la hotte, à une distance maximale de $33\frac{7}{16}$ " (85 cm) à partir du point duquel le cordon d'alimentation sort de la hotte. Voir l'illustration.



INSTRUCTIONS DE MISE À LA TERRE

- Pour une hotte reliée à la terre et connectée par un cordon :

Cette hotte doit être reliée à la terre. Au cas où un court-circuit se produirait, la liaison à la terre réduit le risque de choc électrique, en permettant au courant de s'échapper directement vers la terre. La hotte est équipée d'un cordon comportant un conducteur de liaison à la terre avec fiche de liaison à la terre. La fiche doit être branchée dans une prise correctement installée et reliée à la terre.

AVERTISSEMENT : Une mise à la terre incorrecte peut entraîner un risque de choc électrique.

Consulter un électricien qualifié si les instructions de mise à la terre ne sont pas complètement comprises, ou si vous avez des doutes quant à la qualité de la liaison à la terre de la hotte.

Ne pas utiliser de câble de rallonge. Si le cordon d'alimentation électrique est trop court, faire installer une prise près de la hotte par un électricien qualifié.

CONSERVEZ CES INSTRUCTIONS

INSTRUCTIONS D'INSTALLATION

Préparation de l'emplacement

- Il est recommandé d'installer le circuit d'évacuation avant de procéder à l'installation de la hotte.
 - Avant d'exécuter les découpages, vérifier la disponibilité d'un dégagement suffisant dans le plafond ou le mur pour le conduit d'évacuation.
 - Avant de sélectionner la hotte à installer, mesurer la hauteur libre sous plafond et la hauteur maximum disponible sous la hotte.
1. Déconnecter la source de courant électrique.
 2. Déterminer la méthode d'évacuation à utiliser : décharge à travers le mur ou le toit, ou recyclage.
 3. Sélectionner une surface plane pour l'assemblage de la hotte. Placer le matériau de protection sur cette surface.

AVERTISSEMENT

Risque du poids excessif

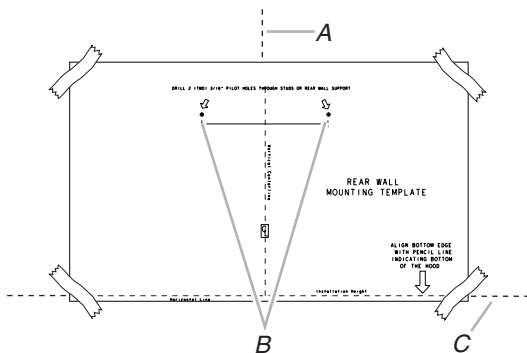
Utiliser deux ou plus de personnes pour déplacer et installer la hotte de la cuisinière.

Le non-respect de cette instruction peut causer une blessure au dos ou d'autre blessure.

4. À l'aide de deux personnes ou plus, soulever la hotte et la poser sur la surface couverte.

Installation des vis de montage de la hotte

5. Déterminer et marquer la position de l'axe central sur le mur où la hotte sera installée.
6. Sélectionner une hauteur de montage comprise entre un minimum de 27" (68,6 cm) pour une surface de cuisson électrique, un minimum de 30" (76,2 cm) pour une surface de cuisson au gaz et un maximum suggéré de 36" (91,4 cm) entre le dessus et le bas de la hotte. Marquer la ligne de repérage sur le mur.
7. Fixer le gabarit en place avec du ruban adhésif; aligner l'axe central du gabarit et le bas du gabarit avec la ligne correspondant au bas de la hotte, et avec l'axe central déjà tracé sur le mur.



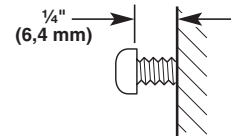
- A. Axe central
- B. Emplacements des attaches
- C. Ligne de référence pour la hauteur de montage

8. À l'aide du gabarit, marquer sur le mur le centre des emplacements des attaches.

IMPORTANT : Toutes les vis doivent être vissées dans du bois. Si l'on ne peut pas visser les vis dans du bois, des tasseaux supplémentaires pour accrochage mural seront peut-être nécessaires.

Retirer le gabarit.

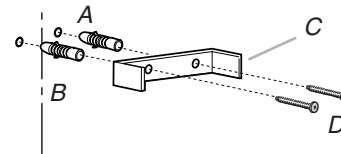
9. Percer des avant-trous de $\frac{3}{16}$ " (4,8 mm) à tous les emplacements de pose des vis dans du bois.
10. Installer les 2 vis de montage de 5 x 45 mm. Laisser un espace de $\frac{1}{4}$ " (6,4 mm) entre le mur et l'arrière de la tête de vis pour faire glisser la hotte et la mettre en place.



Installation de la bride de cache-conduit

Installations avec utilisation d'un assemblage des sections supérieure et inférieure du cache-conduit télescopique

1. Positionner la bride de cache-conduit sur le mur à environ $\frac{1}{8}$ " (3,0 mm) du plafond.
2. Faire des repères aux emplacements des trous.
3. Percer des trous de $\frac{3}{8}$ " (9,5 mm) pour les chevilles et insérer ces dernières en affleurement avec le mur.



- A. Chevilles d'ancrage de 8 x 40 mm
- B. Axe central sur le mur
- C. Bride de support du cache-conduit
- D. Vis de 5 x 45 mm

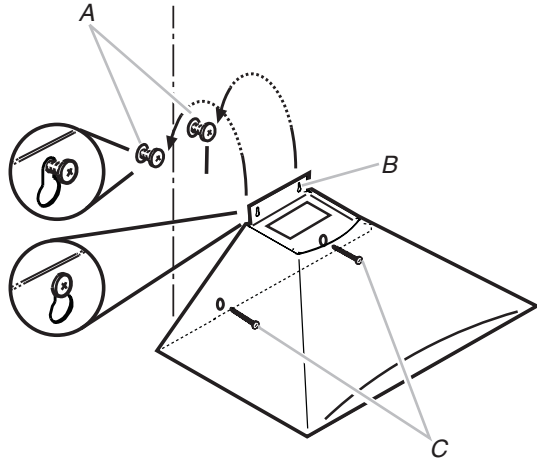
4. Fixer la bride de support du cache-conduit au mur.

Achever la préparation

1. Déterminer et effectuer tous les découpages nécessaires dans le mur pour le passage du circuit d'évacuation. Installer le circuit d'évacuation avant la hotte. Voir la section "Exigences concernant l'évacuation".
2. Utiliser un calfeutrant pour assurer l'étanchéité au niveau de chaque ouverture.

Installation de la hotte

1. À l'aide de deux personnes ou plus, suspendre la hotte aux 2 vis de montage, à travers les encoches de montage à l'arrière de la hotte.

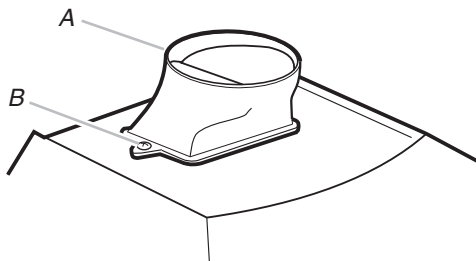


A. Vis de montage
B. Encoches de montage
C. Vis de montage inférieures

2. Ôter le filtre à graisse. Voir la section "Entretien de la hotte".
3. Mettre la hotte de niveau et serrer les vis de montage supérieures.
4. Installer 2 vis de montage inférieures de 5 x 45 mm et serrer ensuite.

Raccordement du circuit d'évacuation

1. Installer le raccord de transition au sommet de la hotte (s'il a été enlevé pour expédition), avec 2 vis de tôlerie de 3,5 x 6,5 mm.



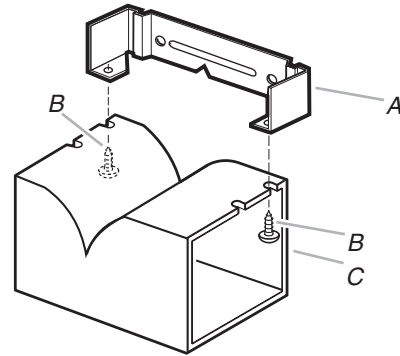
A. Raccord de transition
B. Vis de 3,5 x 6,5 mm

Installations avec décharge à l'extérieur uniquement :

1. Installer le circuit d'évacuation sur le raccord de transition.
2. Serrer le point de connexion avec des brides de serrage.
3. Vérifier que les clapets anti-reflux fonctionnent correctement.

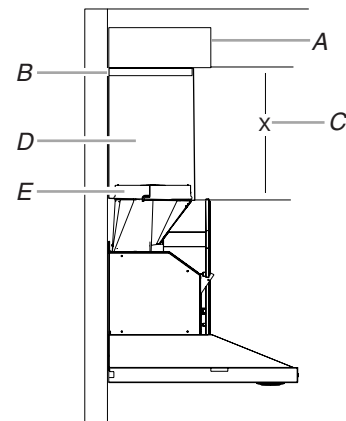
Installations sans décharge à l'extérieur (recyclage) uniquement :

1. Assembler le déflecteur d'air et la bride de cache-conduit à l'aide des 2 vis d'assemblage fournies avec l'ensemble de recyclage.



A. Bride de cache-conduit
B. Vis de 2,9 x 6,5 mm
C. Déflecteur d'air

2. Mesurer la distance entre le bas du déflecteur d'air et le bas de la sortie de la hotte.



A. Déflecteur d'air
B. Bride de conduit
C. X = longueur à laquelle couper le conduit d'évacuation
D. Conduit d'évacuation
E. Sortie d'évacuation

3. Tailler le conduit à la taille mesurée (X).
4. Retirer le déflecteur d'air.
5. Faire coulisser le conduit sur le bas du déflecteur d'air.
6. Placer le déflecteur d'air et le conduit assemblés sur la sortie d'évacuation de la hotte.
7. Réassembler le déflecteur d'air sur la bride de cache-conduit à l'aide des 2 vis d'assemblage.

8. Assurer l'étanchéité des raccordements avec une bride de conduit.

⚠ AVERTISSEMENT



Risque de choc électrique

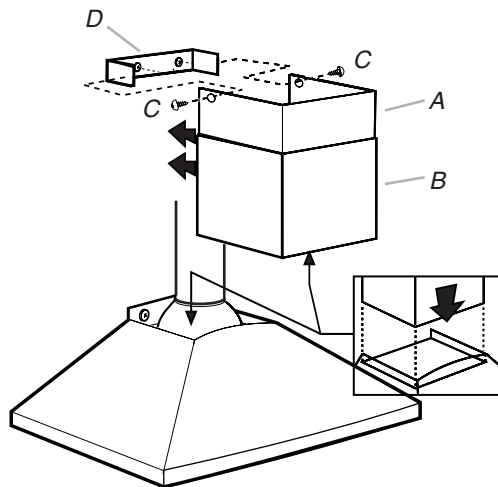
- Brancher sur une prise à 3 alvéoles reliée à la terre.**
- Ne pas enlever la broche de liaison à la terre.**
- Ne pas utiliser un adaptateur.**
- Ne pas utiliser un câble de rallonge.**
- Le non-respect de ces instructions peut causer un décès, un incendie ou un choc électrique.**

9. Brancher le cordon d'alimentation à 3 broches dans la prise à 3 alvéoles reliée à la terre située au-dessus de la hotte.

Installation des cache-conduits

En cas d'utilisation des sections supérieure et inférieure du cache-conduit, pousser la section inférieure vers le bas, sur la hotte et soulever la section supérieure vers le plafond pour installer à l'aide des deux vis de 2,9 x 6,5 mm.

REMARQUE : Pour les installations avec décharge à l'extérieur, le cache-conduit supérieur peut être inversé pour dissimuler les fentes.



- A. Cache-conduit - section supérieure
- B. Cache-conduit - section inférieure
- C. Vis de 2,9 x 6,5 mm
- D. Bride

Achever l'installation

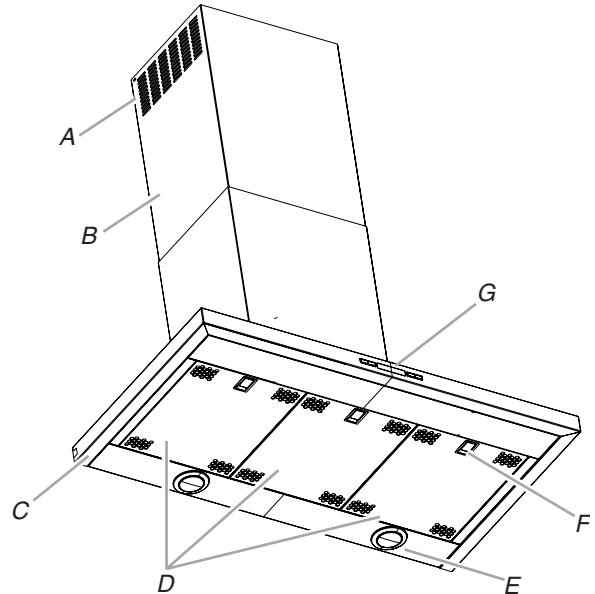
1. Pour les installations sans décharge à l'extérieur (recyclage) uniquement, installer les filtres à charbon sur la grille du logement du ventilateur. Voir la section "Entretien de la hotte".
2. Installer les filtres métalliques. Voir la section "Entretien de la hotte".
3. Contrôler le fonctionnement du ventilateur de la hotte et de la lampe. Voir la section "Utilisation de la hotte".

REMARQUE : Pour pouvoir tirer le plus grand parti de la nouvelle hotte de cuisinière, lire la section "Utilisation de la hotte".

UTILISATION DE LA HOTTE

La hotte de cuisinière est conçue pour extraire fumée, vapeurs de cuisson et odeurs de la zone de la table de cuisson. Pour obtenir les meilleurs résultats, mettre la hotte en marche avant d'entreprendre une cuisson, et laisser la hotte fonctionner pendant plusieurs minutes après l'achèvement d'une cuisson pour pouvoir évacuer de la cuisine toute trace d'odeur de cuisson ou fumée.

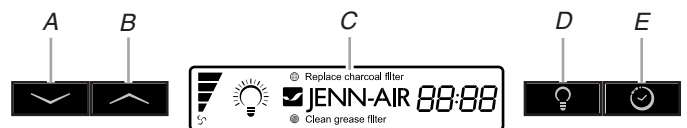
Les commandes de la hotte de la cuisinière sont situées à l'avant de l'auvent.



- A. Ouvertures persiennes (installations sans décharge à l'extérieur - recyclage - uniquement)
- B. Cache-conduits
- C. Auvent
- D. Filtres à graisse
- E. Logements des lampes
- F. Encoches de saisie des filtres à graisse
- G. Tableau de commande

Tableau de commande

Les commandes de la hotte se trouvent à l'avant de l'auvent.



- A. Diminution de la puissance
- B. Augmentation de la puissance
- C. Affichage
- D. Éclairage
- E. Minuterie

Affichage

Alarme de saturation du filtre à graisse

Après 30 heures de fonctionnement du ventilateur, l'affichage indique "Clean Grease Filter" (nettoyer le filtre à graisse) lorsque le ventilateur est activé. Lorsque cette icône apparaît sur l'affichage, les filtres à graisse installés doivent être lavés. Voir la section "Entretien de la hotte".

- Pour réinitialiser l'alarme de saturation du filtre à graisse, appuyer sur le bouton POWER INCREASE (augmentation de la puissance) pendant 5 secondes. L'icône "Clean Grease Filter" (nettoyer le filtre à graisse) disparaît de l'affichage.

Alarme de saturation du filtre à charbon

Après 120 heures de fonctionnement du ventilateur, l'affichage indique "Replace Charcoal Filter" (remplacer le filtre à charbon) lorsque le ventilateur est activé. Lorsque cette icône apparaît sur l'affichage, les filtres à charbon doivent être remplacés. Voir la section "Entretien de la hotte".

- Pour réinitialiser l'alarme de saturation du filtre à charbon, appuyer sur le bouton POWER DECREASE (diminution de la puissance) pendant 5 secondes. L'icône "Replace Charcoal Filter" (remplacer le filtre à charbon) disparaît de l'affichage.

Activation et désactivation du signal sonore

Les signaux sonores peuvent être activés ou désactivés en appuyant sur le bouton "LIGHT" (éclairage) pendant 5 secondes.

- Si le signal sonore a été activé, un signal sonore retentit et le symbole "Snd" (son) apparaît sur l'affichage pendant 3 secondes.
- Si le signal sonore a été désactivé, le symbole "Snd" (son) apparaît sur l'affichage pendant 3 secondes.

Inclusion et exclusion du filtre à charbon (accessoire de recyclage)

Lorsque le filtre à charbon est utilisé, (mode recyclage), appuyer sur les boutons POWER DECREASE (diminution de la puissance) et POWER INCREASE (augmentation de la puissance) en même temps pendant 5 secondes; "Able (activé)" apparaît sur l'affichage pendant 3 secondes.

Lorsque le filtre à charbon n'est pas utilisé, (mode ventilation), appuyer sur les boutons POWER DECREASE (diminution de la puissance) et POWER INCREASE (augmentation de la puissance) en même temps pendant 5 secondes; "None" (aucun) apparaît sur l'affichage pendant 3 secondes.

- Lorsque le filtre à charbon a été exclu, l'alarme de filtre à charbon est désactivée.
- L'inclusion ou l'exclusion du filtre à charbon doit être sélectionnée pendant que l'éclairage et le moteur du ventilateur sont éteints.

Capteur de chaleur

Le module de commande est équipé d'un capteur de chaleur qui met le ventilateur en marche à la vitesse maximale si la température autour de la zone du module de commande est excessive.

- Que le ventilateur soit activé ou non, il est automatiquement réglé à la vitesse maximale. "Auto" apparaît sur l'affichage pour indiquer que le capteur de chaleur a détecté un niveau de chaleur excessif.
- Lorsque le ventilateur fonctionne en raison d'un niveau de chaleur excessif détecté par le capteur de chaleur, on ne peut pas réduire la vitesse du ventilateur.
- Lorsque le niveau de température de la hotte retombe à un niveau normal, le ventilateur retourne au réglage qui avait été effectué avant que le niveau de chaleur excessif ne soit détecté.

Éclairage

Fonctionnement de l'éclairage :

1. Appuyer sur le bouton Light (éclairage) pour mettre la lumière au niveau d'éclairage fort.
2. Appuyer de nouveau sur le bouton Light (éclairage) pour mettre la lumière au niveau d'éclairage faible.
3. Appuyer sur le bouton Light une troisième fois pour éteindre la lumière.

Minuterie

La minuterie peut être réglée pour une période allant de 1 à 60 minutes. Le réglage par défaut de la minuterie est de 10 minutes.

Utilisation de la minuterie :

1. Appuyer sur le bouton Timer (minuterie) pour accéder au mode de minuterie. Après 5 secondes, la durée par défaut est automatiquement sélectionnée.
2. Appuyer sur les boutons POWER DECREASE (diminution de la puissance) et POWER INCREASE (augmentation de la puissance) pendant que l'affichage clignote (pendant 5 secondes) pour ajuster la durée souhaitée. Si l'on appuie de nouveau sur le bouton de la minuterie ou que l'on attend 5 secondes après avoir sélectionné la durée souhaitée, le compte à rebours de la minuterie commence.
3. La minuterie peut être annulée à tout moment en appuyant de nouveau sur le bouton de la minuterie.

REMARQUE : Pendant le réglage de la minuterie, les boutons Power Decrease et Power Increase sont réservés à la minuterie. Après la mise en route de la minuterie, les boutons Power Decrease et Power Increase peuvent être utilisés pour d'autres fonctions.

Boutons de vitesse du ventilateur

Power Increase/On (augmentation de la puissance/activé)

Ce bouton sert à mettre en marche le ventilateur ou à augmenter la vitesse du ventilateur.

- Le ventilateur se met en marche si l'on appuie sur le bouton Power Increase et que la hotte est désactivée.
- Un signal sonore retentit lorsque le ventilateur atteint sa vitesse maximale.

Power Decrease/Off (diminution de la puissance/désactivé)

- Ce bouton sert à éteindre le ventilateur ou à diminuer la vitesse du ventilateur.

ENTRETIEN DE LA HOTTE

Nettoyage

IMPORTANT : Nettoyer fréquemment la hotte et les filtres à graisse en suivant les instructions suivantes. Réinstaller les filtres à graisse avant de faire fonctionner la hotte.

Surfaces externes :

Afin d'éviter d'endommager la surface externe, ne pas utiliser de tampons en laine d'acier ou de tampons à récurer savonneux.

Toujours essuyer pour éviter de laisser des marques d'eau.

Méthode de nettoyage :

- Savon détergent liquide et eau, ou produit de nettoyage polyvalent.
- Frotter avec un chiffon doux humide ou une éponge non abrasive, puis rincer avec de l'eau propre et essuyer.

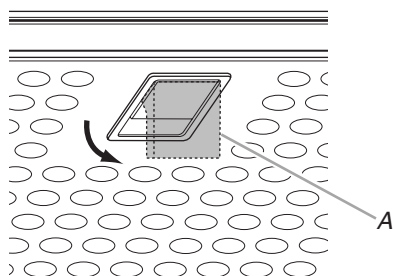
Filtre à graisse métallique

Les filtres doivent être lavés fréquemment. Placer les filtres métalliques dans un lave-vaisselle ou une solution de détergent chaude.

Laisser sécher le filtre complètement avant de le réinstaller.

Éteindre le ventilateur et les lampes. Vérifier que la lampe à halogène est froide.

1. Retirer chaque filtre en tirant sur la poignée à ressort, puis en tirant le filtre vers le bas.



A. Poignée à ressort

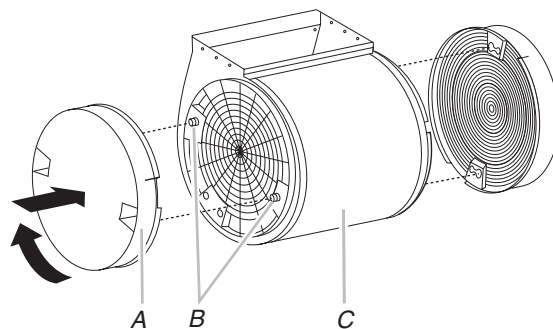
2. Laver les filtres métalliques selon le besoin au lave-vaisselle ou avec une solution de détergent chaude.
3. Réinstaller le filtre en s'assurant que les poignées à ressort sont orientées vers l'avant. Insérer le filtre à graisse métallique dans la rainure supérieure.
4. Tirer vers le bas la poignée à ressort.
5. Pousser le filtre métallique vers le haut et relâcher la poignée pour l'emboîter.
6. Répéter les étapes 1 à 5 pour l'autre filtre.

Filtres d'installation sans décharge à l'extérieur (recyclage)

Le filtre à charbon n'est pas lavable. Celui-ci devrait durer pendant six mois dans des conditions d'utilisation normales. Remplacer par l'ensemble de filtre à charbon numéro W10272068.

Remplacement du filtre à charbon :

1. Placer le filtre à charbon sur la grille protégeant le moteur du ventilateur de façon à ce que les encoches du filtre correspondent aux tiges situées sur les côtés de la grille de protection du moteur.



A. Filtre à charbon

B. Tiges

C. Moteur du ventilateur

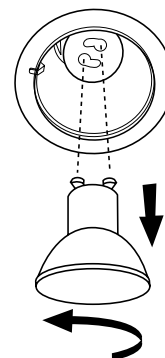
2. Faire pivoter le filtre à charbon dans le sens horaire pour l'emboîter.
3. Répéter les étapes 1 à 2 pour l'autre filtre.

Remplacement d'une lampe à halogène

Interrompre l'alimentation de la hotte; attendre le refroidissement de la lampe à halogène. Pour éviter d'endommager ou de réduire la longévité de l'ampoule neuve, ne pas toucher l'ampoule avec les doigts nus. Remplacer l'ampoule en la manipulant avec un mouchoir de papier ou des gants de coton.

Si les nouvelles lampes ne fonctionnent pas, vérifier que chaque lampe est correctement insérée dans sa douille avant de demander l'intervention d'un réparateur.

1. Déconnecter la source de courant électrique.
2. Pousser la plaque de verre vers le haut et la tourner dans le sens antihoraire.



3. Retirer l'ampoule et la remplacer par une ampoule halogène de 120 volts, 50 watts maximum avec culot GU10. La tourner dans le sens horaire pour l'emboîter.
4. Répéter les étapes 2 à 3 pour l'autre ampoule, si nécessaire.
5. Reconnecter la source de courant électrique.

SCHÉMA DE CÂBLAGE

SE1X5A

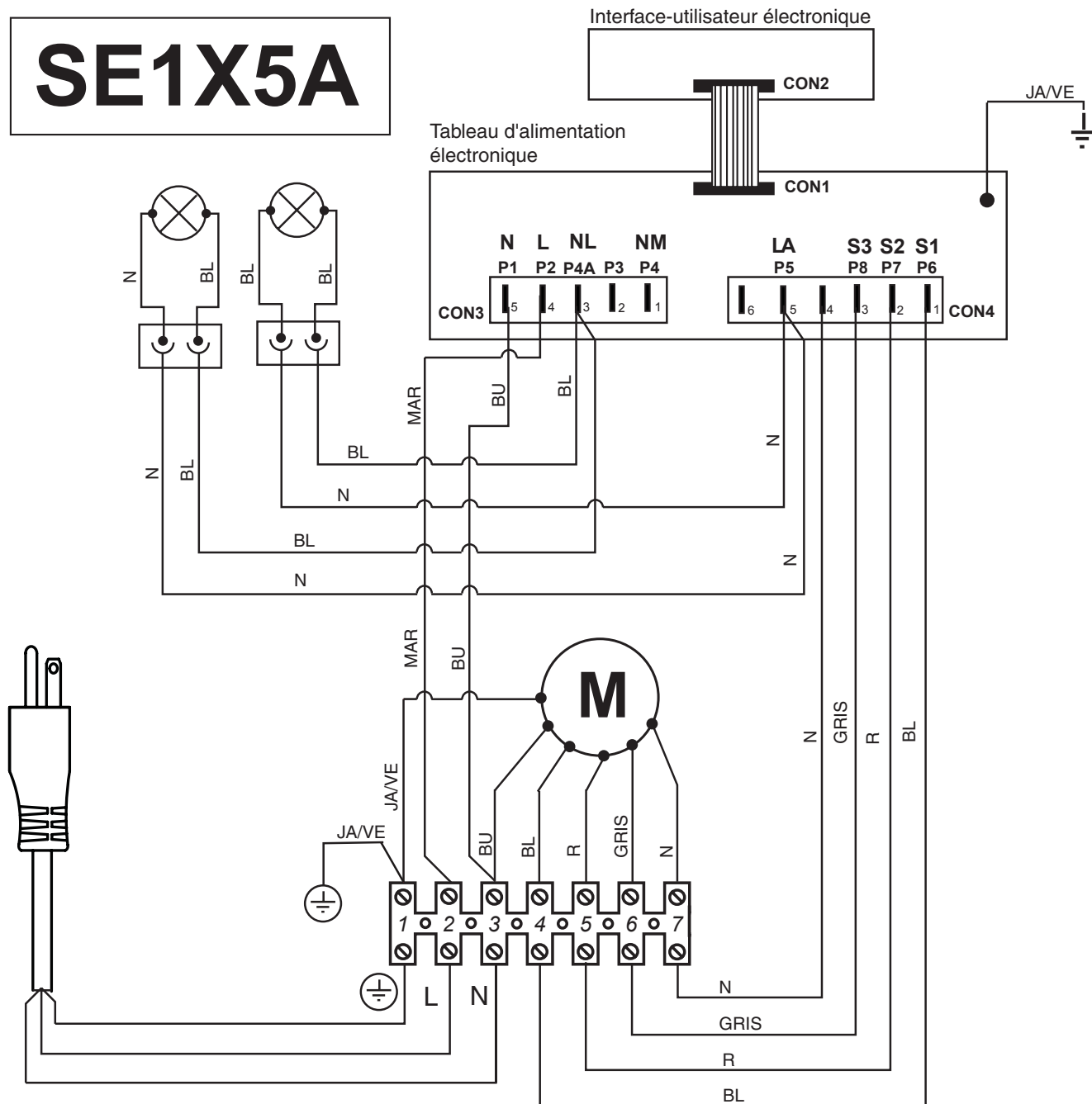


TABLEAU DES COULEURS		TABLEAU DES COULEURS	
N	NOIR	R	ROUGE
BU	BLEU	BL	BLANC
MAR	MARRON	JA	JAUNE
VE	VERT	JA/VE	JAUNE/VERT
GRIS	GRIS		

ASSISTANCE OU SERVICE

Lors d'un appel pour assistance ou service, veuillez connaître la date d'achat, le numéro de modèle et le numéro de série complets de l'appareil. Ces renseignements nous aideront à mieux répondre à votre demande.

Si vous avez besoin de pièces de rechange

Si vous avez besoin de commander des pièces de rechange, nous vous recommandons d'employer uniquement des pièces spécifiées par l'usine. Les pièces spécifiées par l'usine conviendront et fonctionneront bien parce qu'elles sont fabriquées avec la même précision utilisée dans la fabrication de chaque nouvel appareil. Pour localiser des pièces spécifiées par l'usine dans votre région, nous appeler ou téléphoner au centre de service désigné le plus proche.

Au Canada

Téléphonez au marchand qui vous a vendu l'appareil ou téléphonez à Jenn-Air en composant le **1-800-807-6777** pour localiser une compagnie de service autorisée. Lors d'un appel, veuillez connaître la date d'achat et les numéros de modèle et de série complets de votre appareil. Assurez-vous de conserver la preuve d'achat pour vérifier les conditions de la garantie.

Si le marchand ou la compagnie de service ne peut pas résoudre votre problème, écrivez à :

Jenn-Air Brand Home Appliances
Customer eXperience Centre
200 - 6750 Century Ave.
Mississauga, Ontario L5N 0B7

Adresse Internet : www.jennair.ca

ou composez le **1-800-807-6777**.

REMARQUE : Pour toute correspondance ou appel au sujet d'un problème de service, veuillez inclure les renseignements suivants :

1. Vos nom, adresse et numéro de téléphone durant la journée.
2. Numéros de modèle et de série de l'appareil.
3. Nom et adresse de votre marchand ou du service d'entretien.
4. Une description claire du problème existant.
5. Preuve d'achat (reçu de vente).

Les guides de l'utilisateur, manuels d'entretien et informations sur les pièces sont disponibles auprès du Centre d'interaction avec la clientèle des appareils électroménagers de la marque Jenn-Air.

Accessoires

Ensemble filtre à charbon

(pour installations sans décharge à l'extérieur uniquement)

Commander la pièce numéro W10272068

Ensemble de recyclage

(pour installations sans décharge à l'extérieur uniquement)

Commander la pièce numéro W10272063

Ensemble d'extension de cache-conduit

Commander la pièce numéro W10272070

GARANTIE DES GROS APPAREILS MÉNAGERS JENN-AIR®

GARANTIE LIMITÉE DE UN AN

Pendant un an à compter de la date d'achat, lorsque ce gros appareil ménager est utilisé et entretenu conformément aux instructions jointes à ou fournies avec le produit, Jenn-Air, marque de Whirlpool Corporation ou Whirlpool Canada LP (ci-après désignées "Jenn-Air") paiera pour les pièces spécifiées par l'usine et la main-d'œuvre pour corriger les vices de matériaux ou de fabrication. Le service doit être fourni par une compagnie de service désignée par Jenn-Air. Cette garantie limitée est valide uniquement aux États-Unis ou au Canada et s'applique exclusivement lorsque l'appareil est utilisé dans le pays où il a été acheté. À l'extérieur du Canada et des 50 États des États-Unis, cette garantie limitée ne s'applique pas. Une preuve de la date d'achat original est exigée pour obtenir un service dans le cadre de la présente garantie limitée.

ARTICLES EXCLUS DE LA GARANTIE

La présente garantie limitée ne couvre pas :

1. Les visites de service pour rectifier l'installation du gros appareil ménager, montrer à l'utilisateur comment utiliser l'appareil, remplacer ou réparer des fusibles ou rectifier le câblage ou la plomberie du domicile.
2. Les visites de service pour réparer ou remplacer les ampoules électriques de l'appareil, les filtres à air ou les filtres à eau. Les pièces consommables ne sont pas couvertes par la garantie.
3. Les réparations lorsque le gros appareil ménager est utilisé à des fins autres que l'usage unifamilial normal ou lorsque les instructions d'installation et/ou les instructions de l'opérateur ou de l'utilisateur fournies ne sont pas respectées.
4. Les dommages imputables à : accident, modification, usage impropre ou abusif, incendie, inondation, actes de Dieu, installation fautive ou installation non conforme aux codes d'électricité ou de plomberie, ou l'utilisation de pièces consommables ou de produits nettoyants non approuvés par Jenn-Air.
5. Les défauts apparents, notamment les éraflures, les bosses, fissures ou tout autre dommage au fini du gros appareil ménager, à moins que ces dommages soient dus à des vices de matériaux ou de fabrication et soient signalés à Jenn-Air dans les 30 jours suivant la date d'achat.
6. Toute perte d'aliments due à une défaillance du réfrigérateur ou du congélateur.
7. Les coûts associés au transport du gros appareil ménager du domicile pour réparation. Ce gros appareil ménager est conçu pour être réparé à domicile et seul le service à domicile est couvert par la présente garantie.
8. Les réparations aux pièces ou systèmes résultant d'une modification non autorisée faite à l'appareil.
9. Les frais de transport pour le service d'un produit si votre gros appareil est situé dans une région éloignée où un service d'entretien Jenn-Air autorisé n'est pas disponible.
10. La dépose et la réinstallation de votre gros appareil si celui-ci est installé dans un endroit inaccessible ou n'est pas installé conformément aux instructions d'installation fournies.
11. Les gros appareils ménagers dont les numéros de série et de modèle originaux ont été enlevés, modifiés ou qui ne peuvent pas être facilement identifiés. La présente garantie est nulle si le numéro de série d'usine a été modifié ou enlevé du gros appareil ménager.

Le coût d'une réparation ou d'un remplacement dans le cadre de ces circonstances exclues est à la charge du client.

CLAUSE D'EXONÉRATION DE RESPONSABILITÉ AU TITRE DES GARANTIES IMPLICITES; LIMITATION DES RECOURS

LE SEUL ET EXCLUSIF RECOURS DU CLIENT DANS LE CADRE DE LA PRÉSENTE GARANTIE LIMITÉE CONSISTE EN LA RÉPARATION PRÉVUE CI-DESSUS. LES GARANTIES IMPLICITES, Y COMPRIS LES GARANTIES APPLICABLES DE QUALITÉ MARCHANDE ET D'APTITUDE À UN USAGE PARTICULIER, SONT LIMITÉES À UN AN OU À LA PLUS COURTE PÉRIODE AUTORISÉE PAR LA LOI. JENN-AIR N'ASSUME AUCUNE RESPONSABILITÉ POUR LES DOMMAGES FORTUITS OU INDIRECTS. CERTAINES JURIDICTIONS NE PERMETTENT PAS L'EXCLUSION OU LA LIMITATION DES DOMMAGES FORTUITS OU INDIRECTS, OU LES LIMITATIONS DE LA DURÉE DES GARANTIES IMPLICITES DE QUALITÉ MARCHANDE OU D'APTITUDE À UN USAGE PARTICULIER, DE SORTE QUE CES EXCLUSIONS OU LIMITATIONS PEUVENT NE PAS S'APPLIQUER DANS VOTRE CAS. CETTE GARANTIE VOUS CONFÈRE DES DROITS JURIDIQUES SPÉCIFIQUES ET VOUS POUVEZ ÉGALEMENT JOUIR D'AUTRES DROITS QUI PEUVENT VARIER D'UNE JURIDICTION À UNE AUTRE.

Si vous résidez à l'extérieur du Canada et des 50 États des États-Unis, contactez votre marchand Jenn-Air autorisé pour déterminer si une autre garantie s'applique.

Si vous avez besoin de service, voir d'abord la section "Dépannage" du Guide d'utilisation et d'entretien. Après avoir vérifié la section "Dépannage", de l'aide supplémentaire peut être trouvée en vérifiant la section "Assistance ou service" ou en appelant Jenn-Air. Aux É.-U., composer le **1-800-536-6247**. Au Canada, composer le **1-800-807-6777**.

6/09

Conservez ce manuel et votre reçu de vente ensemble pour référence ultérieure. Pour le service sous garantie, vous devez présenter un document prouvant la date d'achat ou d'installation.

Inscrivez les renseignements suivants au sujet de votre gros appareil ménager pour mieux vous aider à obtenir assistance ou service en cas de besoin. Vous devrez connaître le numéro de modèle et le numéro de série au complet. Vous trouverez ces renseignements sur la plaque signalétique située sur le produit.

Nom du marchand _____

Adresse _____

Numéro de téléphone _____

Numéro de modèle _____

Numéro de série _____

Date d'achat _____

Notes

W10274320C

© 2009.
All rights reserved.
Tous droits réservés.

® Registered Trademark/TM Trademark of Jenn-Air, U.S.A. Used under license by Maytag Limited in Canada.
®Marque déposée/TM Marque de commerce de Jenn-Air, U.S.A. Emploi sous licence par Maytag Limited au Canada.

12/09
Printed in Mexico.
Imprimé au Mexique.